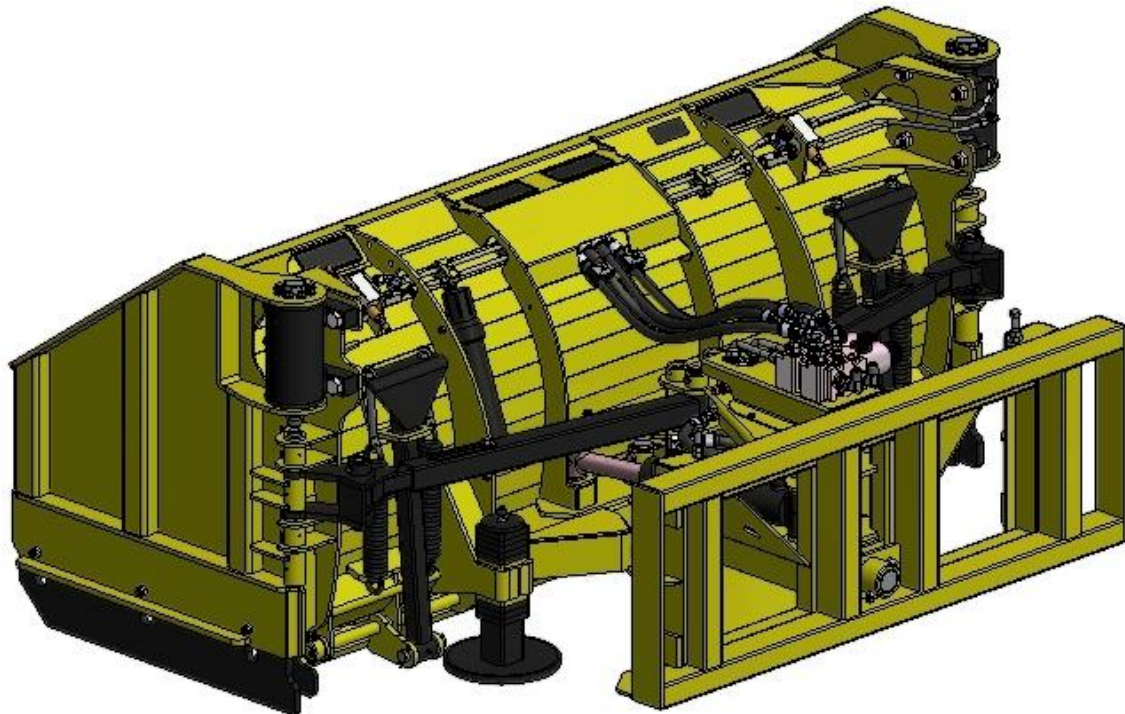


# **HLA** *SnowWing* 3200 SERIES



Manual # SB3200W\_2016

**HLA**  
ATTACHMENTS

**OPERATOR'S MANUAL**



## TABLE OF CONTENTS

Introduction, General Information, Serial Number .....	2
Owner and Operator and Safety Information .....	3-6
Definitions of Safety Terms and Symbols, Accident Prevention ....	3
Safety Instructions .....	4-5
Safety Signs .....	6
Power Unit Specifications .....	7
Attachment Specifications .....	7
Installation Instructions .....	7
Mounting .....	7
Hydraulic Instructions .....	8
Set Up .....	8
Operation .....	9
Maintenance .....	10
Grease Points .....	10
Service .....	11
Parts Illustrations .....	12-17
Endplate .....	12
Tire Protector .....	13
Cutting Edge Trip .....	14
Frame & Pins .....	15
Hydraulics .....	16-17
Troubleshooting .....	18-19
Warranty Policy.....	20

**HLA Attachments**  
8082 Rd 129  
Listowel, ON N4W 3G8  
Canada  
1-866-567-4162  
[sales@horstwelding.com](mailto:sales@horstwelding.com)  
[www.horstwelding.com](http://www.horstwelding.com)

## INTRODUCTION

Thank you for purchasing your new **HLA 3200 SnowWing Series Snow Blade**. You or any other person, who will be assembling, operating, maintaining or working with this product, are required to read and completely understand the information and instructions contained in this manual. If anyone does not fully understand every part of this manual, please obtain further assistance by contacting the dealer from which this product was purchased or by contacting HLA at the telephone number or address listed on the previous page of this manual. Keep this manual available for reference whenever this product is being handled or used. Provide this manual to any new owners and/or operators.

This manual covers models: **SB3200W611, SB3200W712, SB3200W813, SB3200W914.**

## GENERAL INFORMATION

The purpose of this manual is to assist you in safely assembling, mounting, operating and maintaining your Snow Blade. Read this manual carefully to obtain valuable information and instructions that will help you achieve safe and dependable service. The illustrations and data used in this manual were current at the time of printing, but due to possible engineering and/or production changes, this product may vary slightly in detail. HLA reserves the right to redesign and/or change components as necessary without notification.

Throughout this manual, references may be made to:


Power Unit	The engine-driven machine to which this product must be attached.
Right, Left, Front, Rear	Directions which are determined in relation to the operator of the equipment when seated in the normal operating position.
<b>IMPORTANT</b>	Precautions that must be followed to prevent damage to equipment.
<b>NOTICE</b>	Precautions that must be followed to prevent substandard performance.

## SERIAL NUMBER LOCATION

Always refer to the model and serial number when ordering parts or requesting information from your dealer. The serial number plate for this product is located on the top, right of the mouldboard of your Snow Blade (*see diagram on page 6*).

## DEFINITION OF SAFETY TERMS AND SYMBOLS

Throughout this manual, the terms **DANGER**, **WARNING** and **CAUTION** are used to indicate the degree of hazard to personnel if proper safety procedures are not followed. These words will be used in conjunction with the Safety Alert Symbol: a dark triangle containing a white exclamation mark.

	The Safety Alert Symbol means: - <b>ATTENTION!</b> - <b>BECOME ALERT!</b> - <b>YOUR SAFETY IS INVOLVED!</b>
<b>DANGER</b>	Indicates an imminently hazardous situation, which, if not avoided, <b>WILL result in death or serious injury.</b>
<b>WARNING</b>	Indicates a potentially hazardous situation, which, if not avoided, <b>Could result in death or serious injury.</b>
<b>CAUTION</b>	Indicates a potentially hazardous situation, which, if not avoided, <b>May result in minor or moderate injury;</b> <b>OR</b> May also be used to alert against unsafe practices, which <b>may result in damage to property.</b>

The safety information given in this manual does not replace any safety codes, insurance needs, federal, state and local laws.

### ACCIDENTS CAN BE PREVENTED WITH YOUR HELP!

The best safety device is a careful operator. HLA and your dealer ask that YOU be that careful, responsible equipment operator.

Pay attention to the job at hand. Do not let your mind lose concentration on what you are doing. No accident prevention program can be successful without the wholehearted cooperation of the person who is directly responsible for the operation of the equipment.

If accidents are to be prevented (*and accidents can be prevented*), that prevention will come from equipment operators who accept their complete responsibility and anticipate the results of their actions.

The designer, the manufacturer, and the safety engineer all help create a safe product, but their combined efforts can be wiped out with a single careless act by the operator of that product.

Do not attempt to operate this equipment under the influence of drugs or alcohol.

YOU ARE THE KEY TO SAFETY BECAUSE:

YOU are responsible for the SAFE operation and maintenance of YOUR Snow Blade.

YOU are responsible to familiarize yourself, and anyone else who will assemble, operate, maintain, or work around this product, with the safety information contained in this manual.

YOU are responsible to read ALL information contained in this manual to any operators or maintenance personnel who are not fully able to read the written English language. Whether YOU read the manual as written or translate it into another language, YOU must make certain that all operators and maintenance personnel have complete understanding of the full and exact contents of this manual.

YOU can reduce the risk of injury or death by following all safety precautions and by using good safety practices.

## SAFETY INSTRUCTIONS

### WORK SAFELY - A CAREFUL OPERATOR IS THE BEST INSURANCE AGAINST ACCIDENTS!!

#### **SECTION 1** **WARNING SECTION**



**WARNING**  
Obey all safety instructions listed in this section and throughout this manual. Failure to obey instructions in this section could result in death or serious injury.

BEFORE ATTEMPTING ANY TYPE OF ASSEMBLY, OPERATION, MAINTENANCE OR OTHER WORK ON OR NEAR THIS PRODUCT:

- **READ AND COMPLETELY UNDERSTAND THIS MANUAL.**
- **READ AND COMPLETELY UNDERSTAND THE MANUALS PROVIDED WITH YOUR POWER UNIT, LOADER AND QUICK-ATTACH.**
- Read and understand all safety signs on this product and on your power unit, loader and quick-attach.
- Know all your controls and know how to quickly stop all power unit movements, the Snow Blade movement, and the engine in case of emergency.
- Know and obey all applicable government rules, O.S.H.A regulations, local laws and other professional guidelines for your operation.
- Make sure that anyone who will be assembling, mounting, maintaining, repairing, removing and/or storing this product:
  - Has been instructed in the safe operation of this product and of the power unit and the quick-attach to which this product is attached.
  - Is physically and mentally capable of the safe operation of this type of equipment.
  - Is not under the influence of drugs or alcohol.
  - Is carefully supervised from a safe distance, especially if such person is inexperienced.
  - Wears personal protective equipment (i.e. hardhat, safety glasses, work gloves, protective shoes, respirator, ear protection, etc.)
  - Does not wear loose fitting clothes, loose or uncovered hair or any accessories (jewelry, necktie, scarf, wrist watch, etc.) that can catch and entangle on moving parts.
  - Has annually reviewed all safety instructions.
- Know and follow good work practices when assembling, mounting, maintaining, repairing, removing and storing this product:
  - Work on a level surface in a well lit area.
  - Keep the area clean and dry.
  - Use properly grounded electrical outlets and tools.

- Use the right tool for the job at hand.
- Make sure that your tools are in good condition for performing the desired function.
- When using tools, wear the protective equipment specified by the tool manufacturer (i.e. hardhat, safety glasses, work gloves, protective shoes, etc.).

WHEN YOUR POWER UNIT IS USED DURING ANY TYPE OF ASSEMBLY, OPERATION, MAINTENANCE OR OTHER WORK ON OR NEAR THIS PRODUCT:

- Before leaving the operator's station or before beginning any type of work on this product, lower this product to the ground, apply your power unit's parking brake, stop the engine, remove the starter key, wait for all moving parts to stop and then relieve all pressure in the hydraulic lines. *Refer to your power unit's operator's manual for instructions on how to relieve hydraulic pressure in lines.*
- Know your loader's safe lifting and operating capacity and the weight of this product. See the specifications in this manual for the weight of this product and refer to your power unit's and loader's operator's manuals for safe operating limits. Lift capacity may be reduced if using a quick-attach.
- Never allow anyone, except the operator, to be around the power unit or this product when either is in motion.
- Do not start up unless others are clear of the work area.
- Do not allow riders on this product or the power unit.
- Do not stand or climb on this product when raised.
- Do not place any part of your body under any part of this product unless this product is securely resting on adequate blocking or on the ground.
- Do not use blocking made of concrete blocks, logs, buckets, barrels or any other material that could suddenly collapse or shift positions. Do not use wood or steel blocking that shows any signs of material decay. Do not use wood blocking that is warped, twisted or tapered.
- Never operate controls from the ground. Operate the controls only from the operator's station.
- Never leave the equipment unattended with the engine running or with this product raised on the loader.
- Be aware of the added weight and width of this product. Reduce travel speeds accordingly, especially when traveling over rough ground.
- Never lift this product above (a.) the operator's eye level or (b.) to a height where visibility is obstructed, whichever is lower.
- Keep this product close to the ground and under control when transporting.

**SAFETY INSTRUCTIONS**  
**WORK SAFELY - A CAREFUL OPERATOR IS THE BEST INSURANCE AGAINST ACCIDENTS!!**

**WARNING SECTION [Continued]**



**WARNING**

**Obey all safety instructions listed in this section and throughout this manual. Failure to obey instructions in this section could result in death or serious injury.**

**WHEN DEALING WITH HYDRAULICS DURING ANY TYPE OF ASSEMBLY, OPERATION, MAINTENANCE OR OTHER WORK ON OR NEAR THIS PRODUCT:**

- Hydraulic fluid under pressure can penetrate the skin and cause serious injury or death. Hydraulic leaks under pressure may not be visible!
- If any fluid penetrates the skin, GET IMMEDIATE MEDICAL ATTENTION!!
- Wear safety glasses, protective clothing and use a sound piece of cardboard or wood when searching for hydraulic leaks. **DO NOT USE YOUR HANDS!**
- Before connecting or disconnecting hydraulic hoses, read your tractor or power unit's operator's manual for detailed instructions on connecting and disconnecting hydraulic attachments.
- Make certain that all parts meet the specifications for this product when installing or replacing hydraulic hoses or fittings.
- After connecting hydraulic lines:
  - Slowly and carefully raise the loader and cycle the rollback / dump cylinders to check hose clearances and to check for any interference.
  - Operate the hydraulics on this product to check hose clearances and to check for any interference.
  - Make certain that the hoses cannot interfere with or actuate the quick-attach mechanism.
  - Make certain that hoses will not be pinched, or get tangled, in any equipment.
- Do not lock the auxiliary hydraulics of your power unit in the "ON" position.
- Refer to your power unit's operator's manual and this manual for procedures and intervals, then inspect and maintain the entire hydraulic system to insure that the fluid remains clean, that all devices function properly and that there are no fluid leaks.

**WHEN MOUNTING THIS PRODUCT TO YOUR POWER UNIT:**

- Refer to the operator's manuals of your power unit, your loader and your quick-attach for special or detailed mounting instructions.

- This product should fit onto the quick-attach or loader arms of your power unit the same as the original products that were designed by your loader / quick-attach manufacturer.
- If this product does not fit properly, contact HLA before operating.
- Never place your finger into the mounting plate or loader holes. A slight movement of the power unit or this product could cause serious injury.

**BEFORE EACH USE, THOROUGHLY INSPECT THIS PRODUCT AND:**

- Make certain that all safety signs are in place and legible. Refer to the safety sign page in this manual for the placement of safety signs for this product.
- Replace all damaged or excessively worn parts and hardware only with genuine HLA parts or with properly rated fasteners, hydraulic hoses or fittings.
- Make certain that all locking pins, latches and connection devices are properly installed and secured.
- Make certain that all protective guards, canopies, doors, etc. are in place and secure.

**WHEN OPERATING THIS PRODUCT IN ACCORDANCE WITH DESIGN INTENTIONS:**

- Do not exceed 15 MPH/24 KPH when operating.

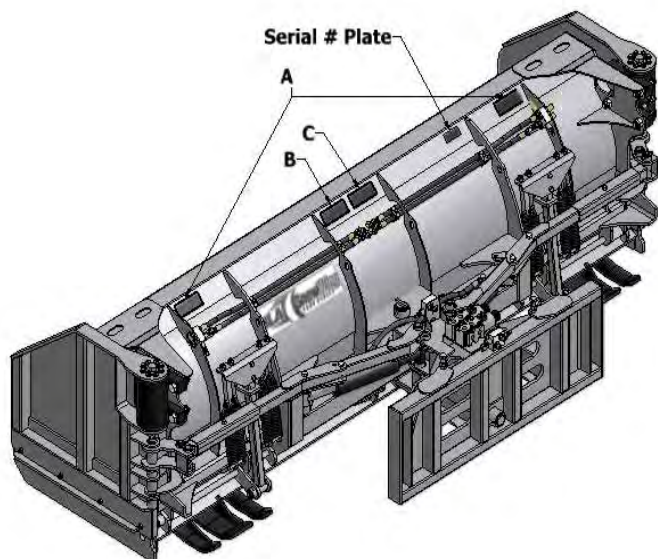
**WHEN ADJUSTING, SERVICING OR REPAIRING THIS PRODUCT:**

- Make no modifications to your Snow Blade.
- When making repairs, use only genuine HLA parts or, for fasteners, hydraulic hoses or hydraulic fittings, use only properly rated parts.
- Replacement parts, for parts with safety signs attached, must also have safety sign attached.

**Think SAFETY!**

**Work SAFELY!**

## SAFETY SIGN LOCATIONS



### INSTRUCTIONS

- Keep all safety signs clean and legible.
- Replace all missing, illegible or damaged safety signs.
- Replacement parts for parts with safety signs attached must also have safety signs attached.
- Safety signs are available free of charge from your dealer or from HLA.

ITEM	QTY	PART#	DESCRIPTION
A	2	WLPA	Pivoting Attachment
B	1	WLHP	Hydraulics
C	1	WLMA	Manual

### PLACEMENT OR REPLACEMENT OF SAFETY SIGNS

1. Clean the area of application with non-flammable solvent, then, wash the same area with soap and water.
2. Allow the surface to fully dry.
3. Remove the backing from the safety sign, exposing the adhesive surface.
4. Apply the safety sign to the position shown in the diagram above and smooth out any bubbles.

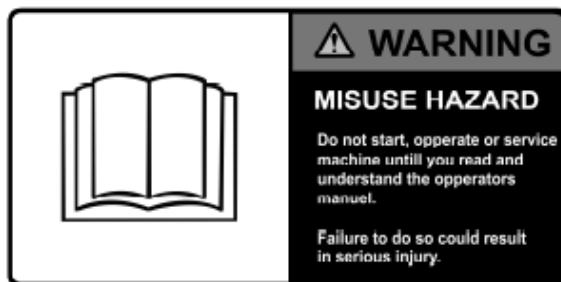
*Item A*



*Item B*



*Item C*





## POWER UNIT SPECIFICATIONS

### IMPORTANT

Exceeding any of the recommended power unit specifications

- **CAN** result in damage to your power unit and/or this product and
- **WILL** void all HLA warranties.

LOADER DESCRIPTION
50-85 HP
Gross Machine Weight - 10,000 lb. Max.

## ATTACHMENT SPECIFICATIONS

### 3000W Series

PART #	NAME	APPROX. WEIGHT LBS.	CLEARING WIDTH CLOSED	CLEARING WIDTH OPEN	ROAD CLEARANCE ANGLED INCHES
SB3200W611	SnowWing 3200 SERIES 6ft	1300	6ft	11ft	70
SB3200W712	SnowWing 3200 SERIES 7ft	1360	7ft	12ft	80
SB3200W813	SnowWing 3200 SERIES 8ft	1420	8ft	13ft	90
SB3200W914	SnowWing 3200 SERIES 9ft	1480	9ft	14ft	100

## SNOW BLADE MOUNTING



**SAFETY FIRST!! READ AND UNDERSTAND THE SAFETY INSTRUCTIONS** (pages 3-6 of this manual) **BEFORE BEGINNING ANY SNOW BLADE MOUNTING.**

1. Place this product on a firm, level surface that is large enough to safely accommodate this product, your power unit and all workers involved in the mounting process.
2. Be sure all connection points are properly secured.
3. Refer to the operator's manual(s) for your power unit, loader and quick-attach and follow the mounting instructions contained therein.

### IMPORTANT

Lubricate all grease fittings before connecting this product to your power unit's hydraulic system. Refer to SNOW BLADE MAINTENANCE (page 10) and follow instructions

## SNOW BLADE HYDRAULIC CONNECTION



**SAFETY FIRST!! READ AND UNDERSTAND THE SAFETY INSTRUCTIONS** (pages 3-6 of this manual) **BEFORE BEGINNING ANY HYDRAULIC CONNECTION.**

1. You must purchase and install two hydraulic hoses that have fittings permanently attached to each end. These hoses and fittings must meet the following specifications:
  - Inside diameter .....0.375" (3/8")
  - Maximum operating pressure .....3,000psi.
  - Hose end fittings .....One hose end must be a female ½ NPT fitting. The fitting for the other end can be whatever you determine to be the most beneficial to making the connection to your power unit.
  - Length .....You must make this determination based upon recommendations provided in your power unit's operator's manual. The hoses must be long enough to avoid applying any tension to them (*i.e. stretching*) in all operating positions of this product. Excessive length could cause the hoses to drag on ground, be pinched in equipment, become entangled in moving parts, etc., any of which will shorten life of hoses and could cause injury to operator or others near equipment.
2. Remove all protective plastic caps from hose ends and this product's connection fittings.
3. Ensure the male and female threads, as well as the inside of the hoses, are clean.
4. Make connection to power unit using appropriate method below for your power unit.
  - If your power unit has male or female threads for connecting hydraulic hoses to auxiliary lines, ensure all threads and inside of fittings and hoses are clean; then secure hoses to fittings using torque specified in your power unit's operator's manual.
  - If your power unit has quick-couplers for connecting hydraulic hoses to auxiliary hydraulic lines, you may need to purchase proper quick-coupler fittings which you must install on the free ends of the two hoses. In most cases, the owner's manual for your power unit will describe the exact type of fitting which is needed for your hydraulic coupling system. **BUT** in no case should any fitting have an allowable operating pressure of less than 4,000 psi. Once all quick-coupler fittings are properly installed, the hoses can then be coupled to the power unit's hydraulic valve body or auxiliary hydraulic lines as per the instructions found in your power unit's operator's manual.
5. Carefully raise the loader arm and cycle the tilt cylinders to check hose clearances and to check any interference.
6. Operate hydraulic cylinder(s) on this product to make same checks.
7. Cycle hydraulic cylinder(s) on this product several times fully retracted to fully extended, until all air has been completely removed from cylinder(s).
8. Cycle endplate actuators and force oil through crossover relief valve for 5-8 seconds to ensure all air is out of hydraulic lines.



### WARNING

**Do not lock the auxiliary hydraulics of your tractor or power unit in the "ON" position. Failure to obey this warning could result in death or serious injury.**

### NOTICE

When shipped, hydraulic cylinder(s) on this product contained air or air-fluid mixture. Beneath the port(s) in the hydraulic cylinder barrels, are orifices which will restrict exit of that air. Failure to remove all air from the hydraulic cylinder(s) can cause uneven, jerky cylinder movement when the hydraulic controls are being operated, and unwanted cylinder movement when the controls are not being operated.

## SNOW BLADE SET UP



**SAFETY FIRST!! READ AND UNDERSTAND THE SAFETY INSTRUCTIONS** (pages 3-6 of this manual) **BEFORE BEGINNING ANY HYDRAULIC CONNECTION.**

Spring tension is set from factory. If cutting edge trips too easily, simply tighten the tensioner bolts above the springs.

## SNOW BLADE OPERATION



**SAFETY FIRST!! READ AND UNDERSTAND THE SAFETY INSTRUCTIONS** (pages 3-6 of this manual) **BEFORE BEGINNING ANY SNOW BLADE OPERATION.**



### WARNING

Failure to obey the following procedures could result in death or serious injury.

- Never lift this product above the operator's eye level OR to a height where visibility is obstructed, whichever is lower.
- Do not exceed 15 miles per hour while operating.

**IMPORTANT** Striking solid objects hidden in snow OR pushing materials other than snow

- **CAN** result in damage to this product and
- **WILL** void all HLA warranties.

Before any snowfall, inspect site where your Snow Blade is to be used. Locate any obstructions (*i.e. curbs, sidewalks, parking bumpers, pipes, shrubs, fences, etc.*) and any variations in elevation (*i.e. retaining walls, slopes, holes, etc.*), in order to avoid these elements during the snow plowing operation.

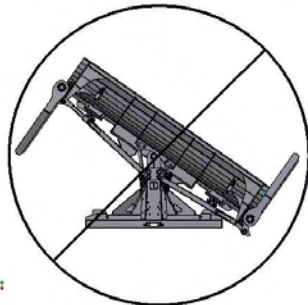
---

### Basic Variations on Blade Operating Positions



With the endplates in the full open position, your Snow Blade can be used as a reverse box blade to back drag snow for short distances.

**IMPORTANT** Do not operate in position shown below.  
Leading wing must always be in forward position.  
If wing is back against stop and hits a solid object; wing will be bent or actuator damaged.



## SNOW BLADE MAINTENANCE

Regular maintenance is the key to long equipment life and safe operation. It is very important that these maintenance functions be performed as described below.



**SAFETY FIRST!! READ AND UNDERSTAND THE SAFETY INSTRUCTIONS** (pages 3-6 of this manual) **BEFORE BEGINNING ANY SNOW BLADE MAINTENANCE.**

### BEFORE FIRST USE

- Inspect the attachment for shipping damage. If damage does exist, do not operate until the damaged parts have been replaced or repaired.

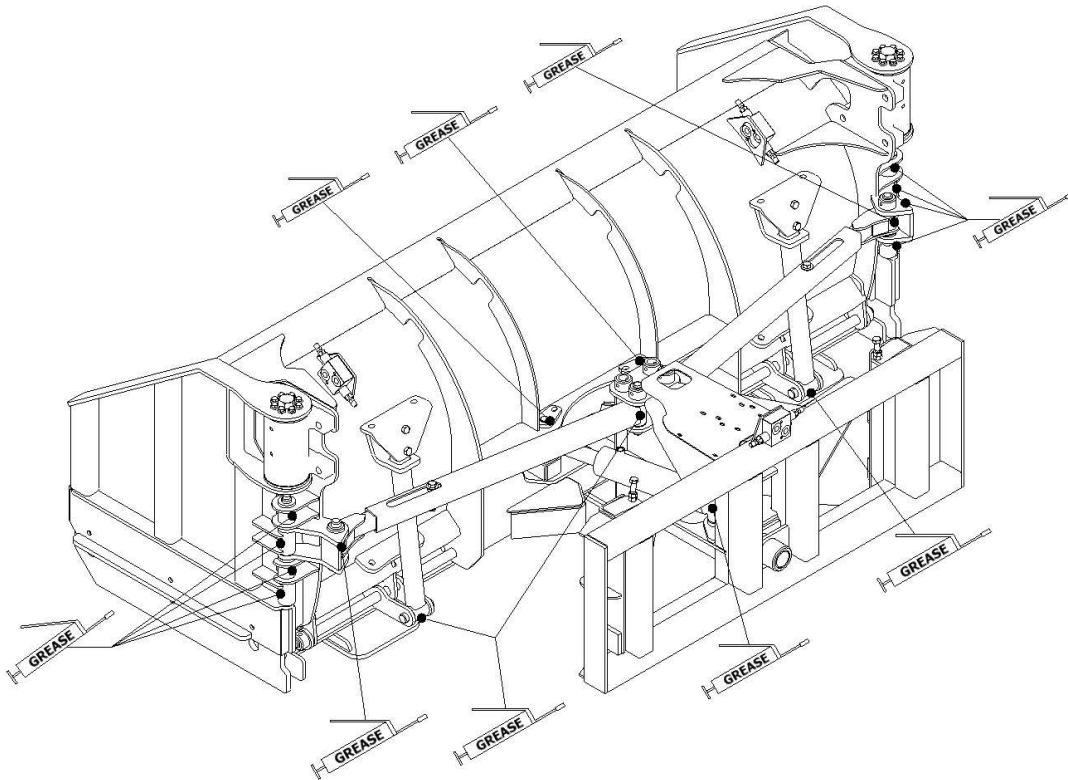
### BEFORE EACH USE

- Make certain all nuts and bolts are in place and properly tightened.
- Make certain all other fasteners are in place and are performing their specified function.
- Make certain all hydraulic fittings are tightened and that there are no leaks in any fittings or hoses.
- Make certain all safety signs are in place, are clean and are legible.  
SEE THE SAFETY SIGN SECTION (page 6)
- Replace any damaged parts and excessively worn parts.

### AFTER EVERY 10 HOURS OF OPERATION

- Grease all grease fittings (refer to diagram below).

### GREASE POINTS



## SNOW BLADE SERVICE



**SAFETY FIRST!! READ AND UNDERSTAND THE SAFETY INSTRUCTIONS** (*pages 3-6 of this manual*) **BEFORE BEGINNING ANY SNOW BLADE SERVICE.**

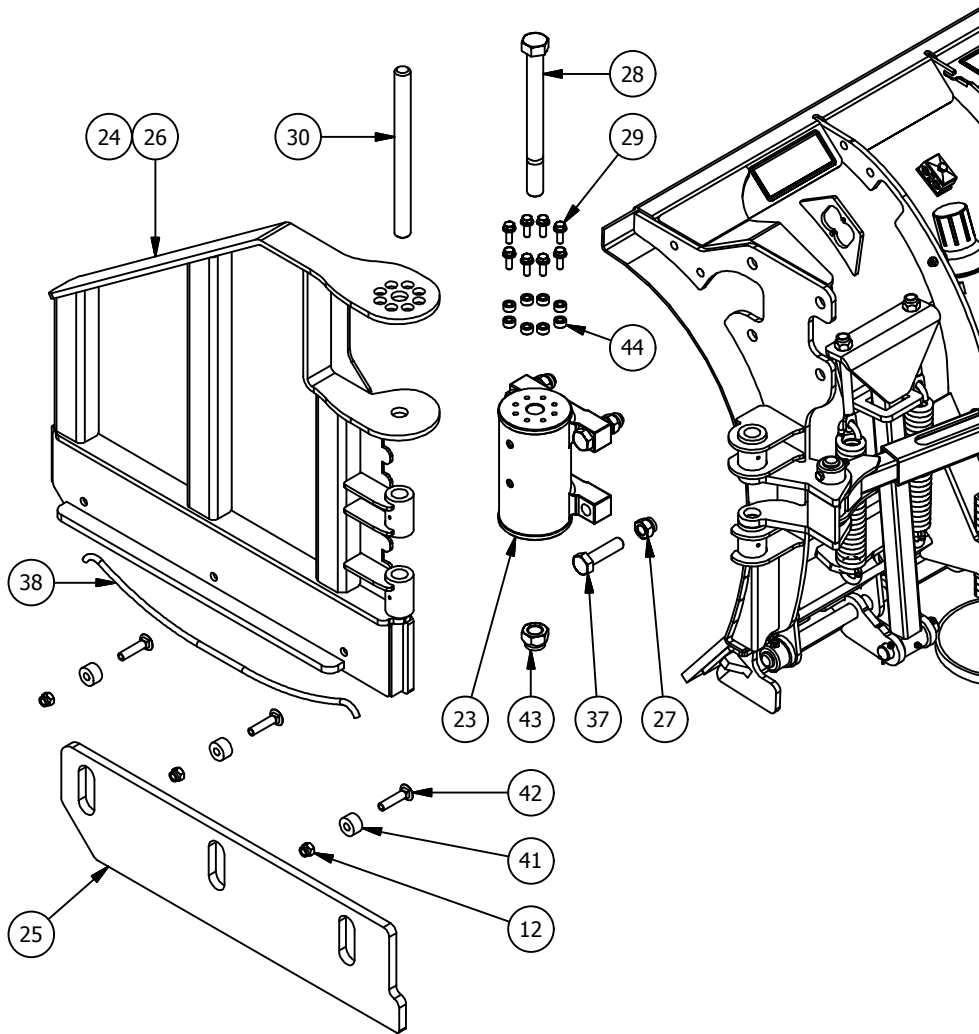


### **WARNING**

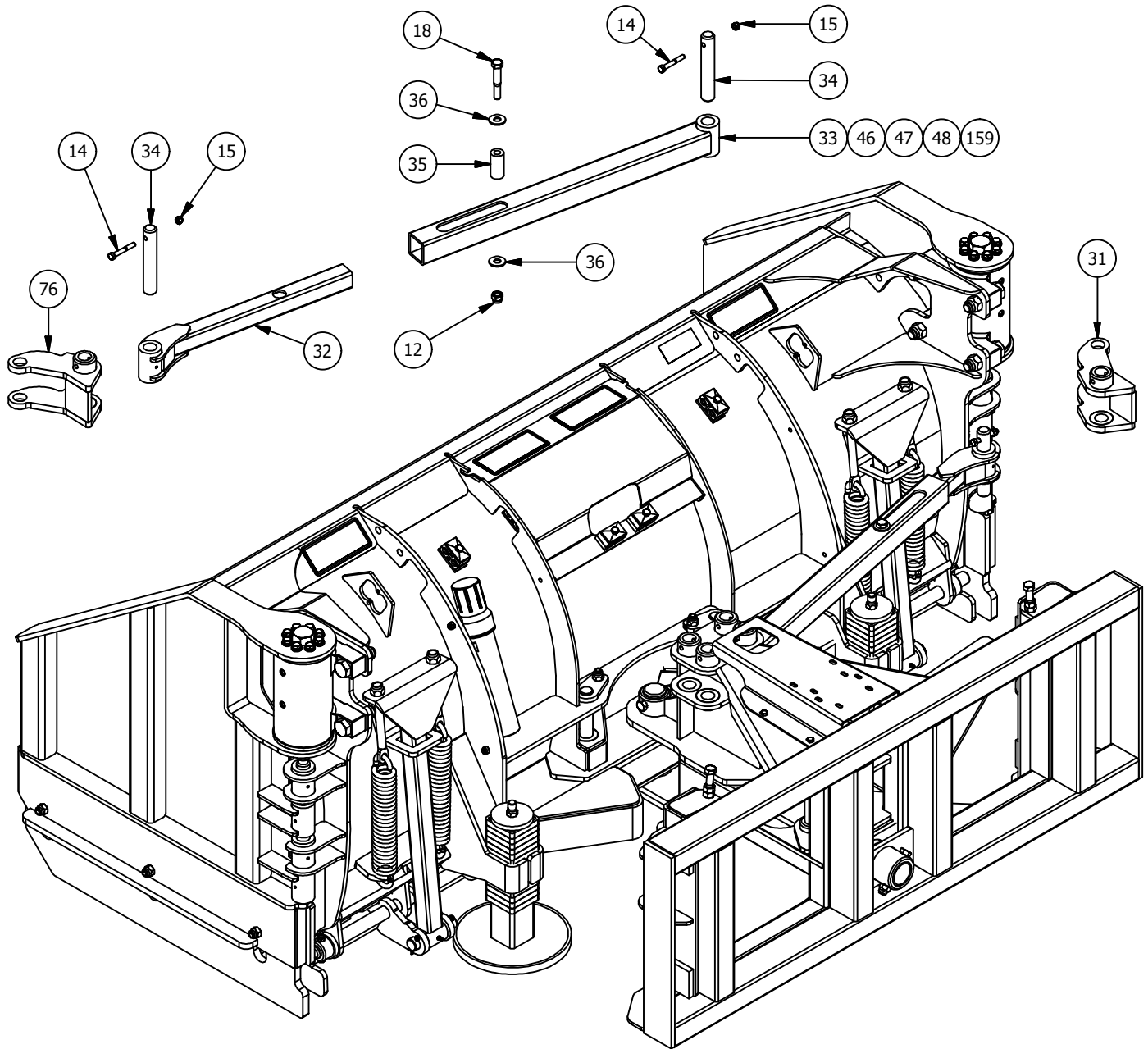
**Hydraulic fluid under pressure can penetrate skin, resulting in serious injury or death. Always relieve hydraulic pressure before disconnecting lines.**

### REPLACEMENT OF WEAR EDGE

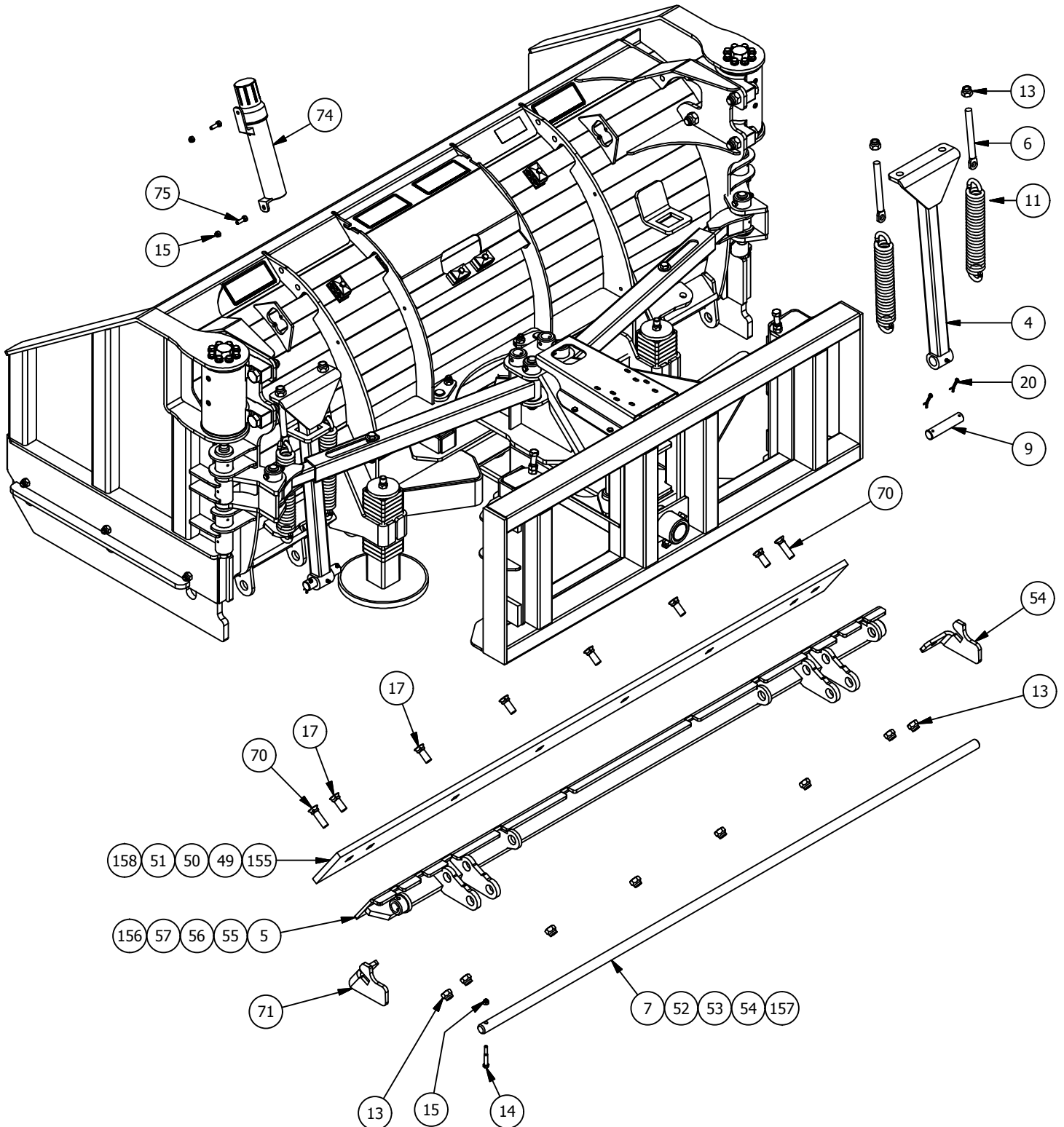
1. Park power unit on level surface with this product properly attached.
2. Place power unit's transmission in "Park" and engage the parking brake.
3. Lower this product onto blocking positioned immediately behind moldboard. This blocking must be of sufficient height to hold wear edge approximately 6" to 8" above the level surface.
4. Shut off power unit's engine, set parking brake, remove starter key, wait for all moving parts to come to a stop and relieve hydraulic pressure. *Refer to your power unit's manual for instruction on how to relieve hydraulic pressure in lines.*
5. Loosen and remove nuts on all wear edge bolts except the bolts on each end of wear edge.
6. While holding up end of wear edge, remove nut and bolt from that end and allow it to pivot down to the level surface.
7. Repeat step 6 for other end of wear edge.
8. Properly dispose of wear edge and all bolts and nuts.
9. Reinstall new wear edge by reversing procedures in steps 7 through 5 and tightening the nuts to 75 ft. lbs.



Parts List			
ITEM	QTY	PART#	DESCRIPTION
12	16	11-2068	1/2" Lock Nut
23	2	LA-L2082E	SB3200 SnowWing Actuator
24	1	LP-100065	Right Endplate Assembly
25	2	LP-100066	SB3200 SnowWing Endplate Cutting Edge
26	1	LP-100064	Left Endplate Assembly
27	8	11-1564	3/4" Locking nut
28	2	11-1577	1" x 8" Hex Head Bolt
29	16	11-1578	3/8"-16 x 1" L9 Bowman Bolt
30	2	LP-100067	SB3200W Endplate Pivot Pin
37	8	11-1567	3/4" x 3 Bolt
38	2	LP-100068	SB3200 WingBlade Endplate Float Spring
41	6	LA-SB1139	SB4000 Endplate Wearbar Spacer
42	6	11-1568	1/2" x 2-1/4" Carriage Bolt
43	2	11-1562	1" Lock Nut
44	16	LP-100069	SB3200W Actuator Bolt Bushing

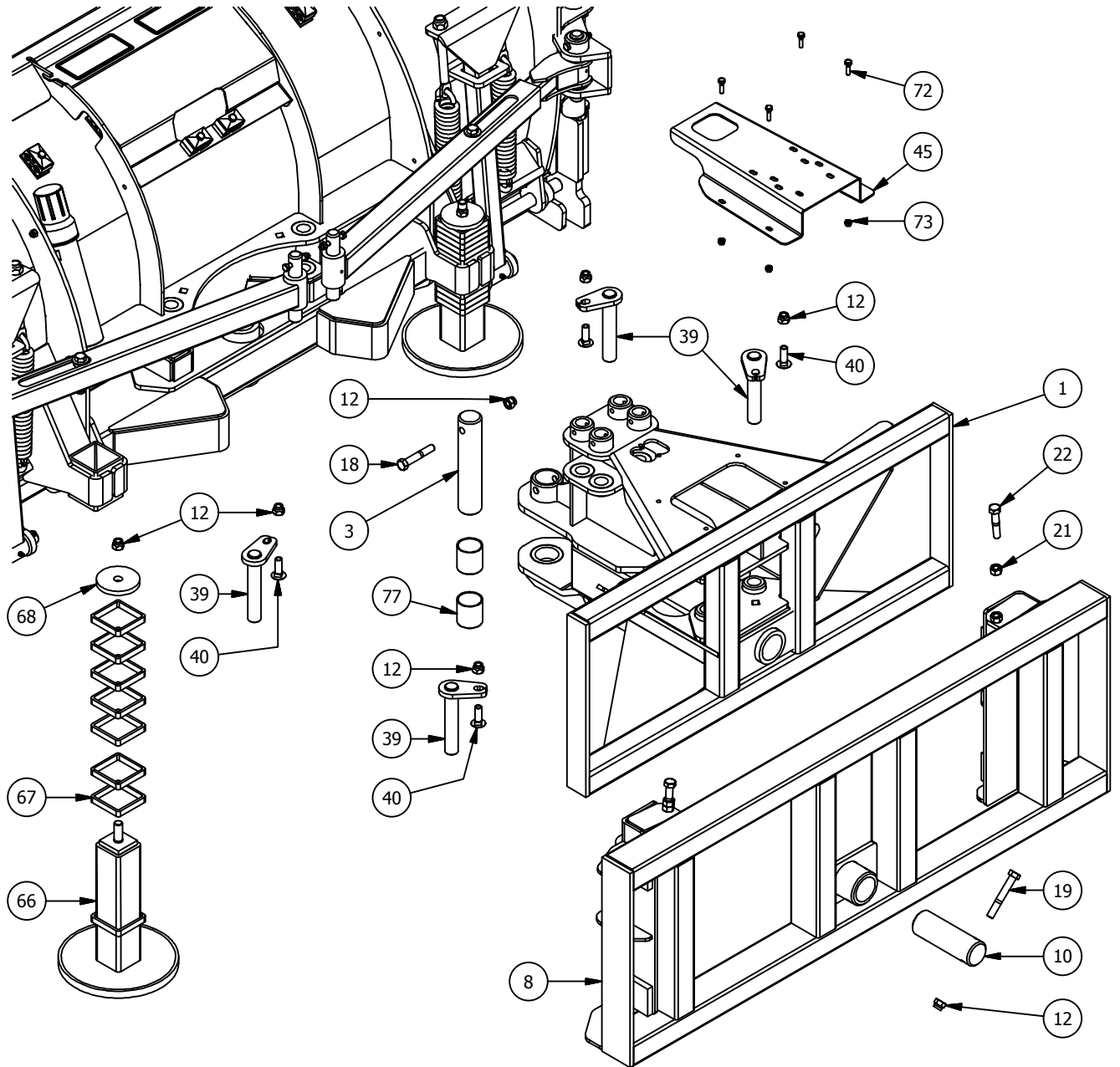


Parts List				Parts List			
ITEM	QTY	PART#	DESCRIPTION	ITEM	QTY	PART#	DESCRIPTION
12	16	11-2068	1/2" Lock Nut	35	2	LP-100077	SB3200 SnowWing Tire Protector Slot Bushing (1/2"ID x 1"OD x 2-1/8" Long)
14	5	11-2079	5/16" x 2 1/4" Bolt	36	4	11-1579	1/2" Large Flat Washer
15	9	11-2078	5/16" Lock Nut	46	2	LP-100073	SB3200W712 Tire Protector Tube With Slot
18	3	11-2071	1/2" x 3" Bolt	47	2	LP-100075	SB3200W914 Tire Protector Tube With Slot
31	1	LP-100070	SB3200 SnowWing Top Endplate Stop Assembly	48	2	LP-100074	SB3200W813 Tire Protector Tube With Slot
32	2	LP-100071	Tire Protector Inner Tube Assembly	159	2	LP-101431	SB3200W1015 Tire Protector Tube With Slot
33	2	LP-100072	SB3200W611 Tire Protector Tube With Slot	76	1	LP-101323	SB3200 SnowWing Left Top Endplate Stop Assembly
34	4	LP-100076	1in x 6in Pin				

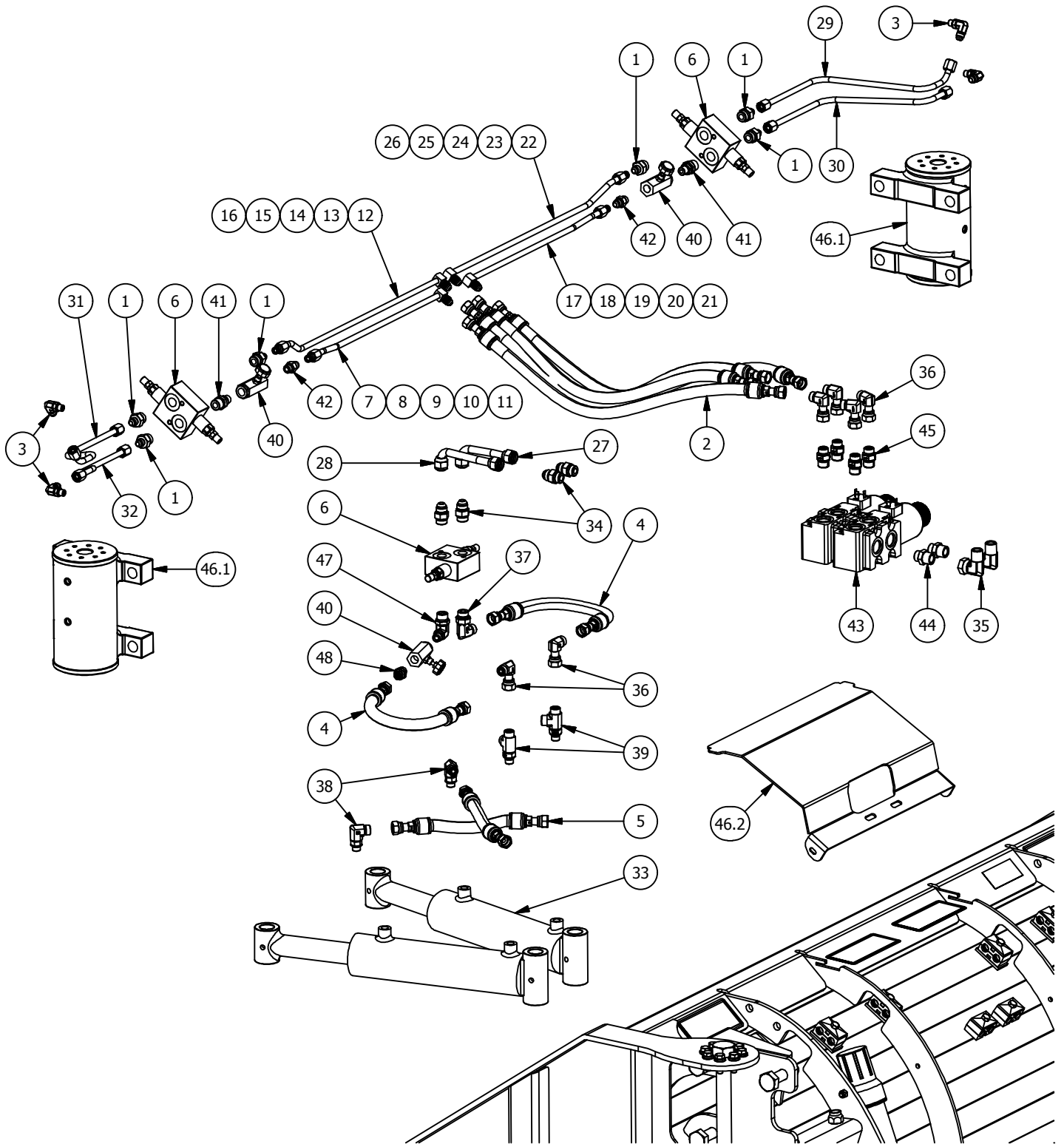




Parts List			
ITEM	QTY	PART NUMBER	DESCRIPTION
4	2	LA-SB1041	SB3000 Trip Linkage Assembly
5	1	LP-101643	SB3200W611 Cutting Edge Assembly
6	4	11-1516	5/8" x 7" Eye Bolt
7	1	LA-SB1043	SB3000 72" Cutting Edge Pin (1" x 69 1/2")
9	2	LA-SB1036	Trip Linkage Pin (1" x 4")
11	4	11-1515	3/8" Coil x 1-7/8" OD x 12" Extension Spring
13	12	11-1026	5/8" Lock Nut
14	5	11-2079	5/16" x 2 1/4" Bolt
15	9	11-2078	5/16" Lock Nut
17	6	11-2080	5/8" x 1 3/4" Countersunk Square Neck Plow Bolt
20	4	11-1534	3/16" x 1 1/2" Cotter Pin
49	1	LP-101628	SB3000 84" Straight Cutting Edge
50	1	LP-101630	SB3000 96" Straight Cutting Edge
51	1	LP-101632	SB3000 108" Straight Cutting Edge
158	2	LP-101626	SB3000 60" Straight Cutting Edge
52	1	LA-SB1044	SB3000 84" Cutting Edge Pin (1" x 81 1/2")
53	1	LA-SB1045	SB3000 96" Cutting Edge Pin (1" x 93 1/2")
54	1	LA-SB1046	SB3000 108" Cutting Edge Pin (1" x 105 1/2")
157	1	LA-SB1195	SB3000 120" Cutting Edge Pin (1" x 118 1/4")
55	1	LP-101644	SB3200W712 Cutting Edge Assembly
56	1	LP-101645	SB3200W813 Cutting Edge Assembly
57	1	LP-101646	SB3200W914 Cutting Edge Assembly
156	1	LP-101647	SB3200W1015 Cutting Edge Assembly
54	1	LP-101048	Cuttingedge End Cap (Right)
70	2	112066	5/8" x 3" Countersunk Square Neck Plow Bolt
71	1	LP-101049	Cuttingedge End Cap (Left)
74	1	11-2008	Manual Holder HD
75	2	11-1946	5/16" x 1" bolt
155	1	LP-101624	SB3000 72" Straight Cutting Edge



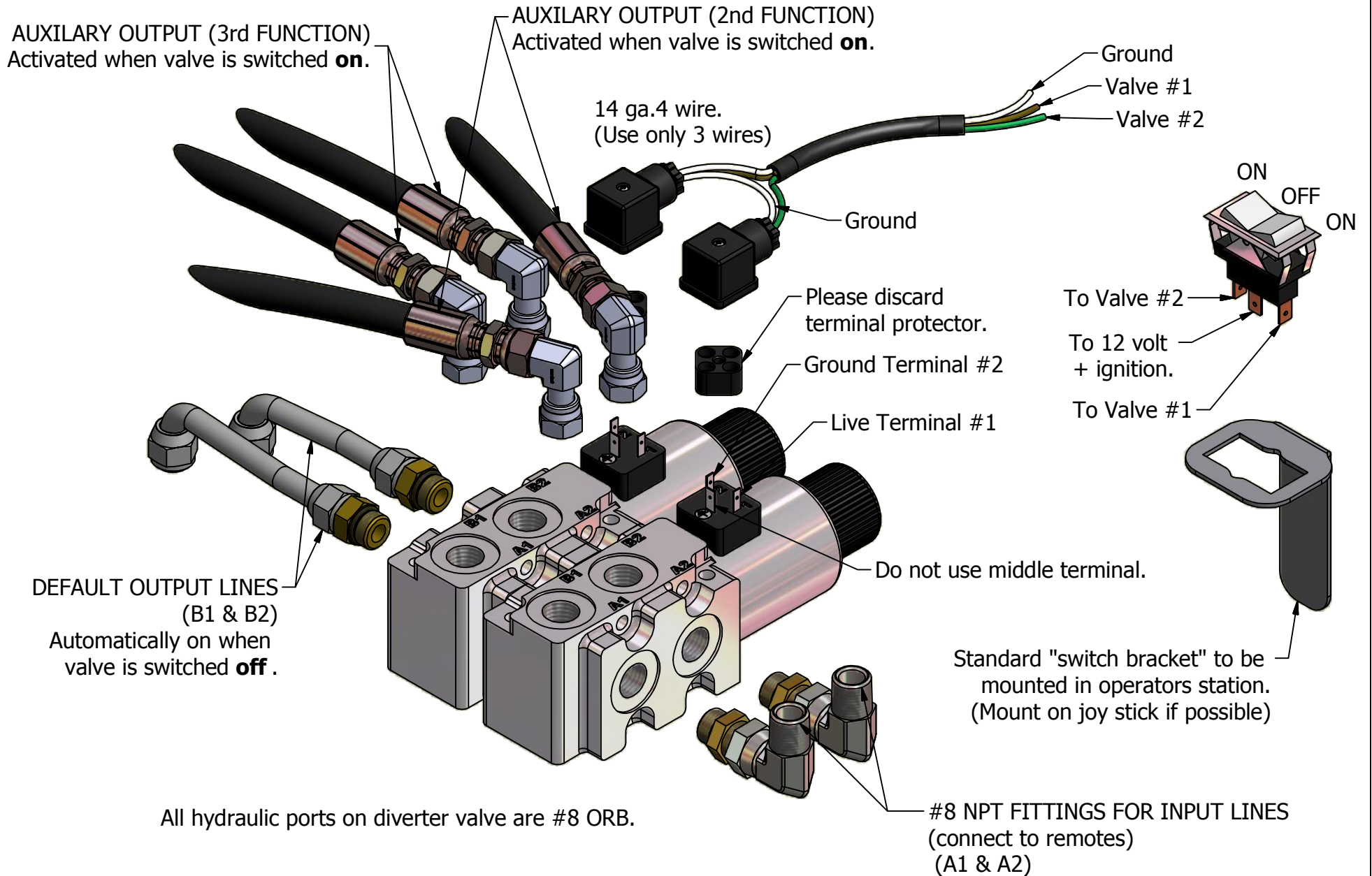
Parts List				Parts List			
ITEM	QTY	PART #	DESCRIPTION	ITEM	QTY	PART #	DESCRIPTION
1	1	LP-100083	SB3200W Subframe Assembly	39	4	LP-100084	Cylinder Pin Weldment
3	1	LA-SB1002	Pivot Pin (1 3/4" x 8 1/2" Long)	40	4	11-1576	1/2 x 1-1/2 Carriage Bolt
8	1	LP-100086	SB3200W Frame Assembly	45	1	LP-100085	Selector Valve Mount Plate
10	1	LA-SB1033	Frame Pivot Pin (2" x 6")	66	2	LP-100109	Skid Shoe Assembly
12	16	11-2068	1/2" Lock Nut	67	14	SB-1082	Skid Shoe Spacer
18	3	11-2071	1/2" x 3" Bolt	68	2	LP-101259	Skid Shoe Retainer Washer
19	1	11-2072	1/2" x 3 1/2" Bolt	72	4	11-1581	1/4" x 1" Bolt
21	2	11-2073	1/2" Zinc Jam Nut	73	4	11-2074	1/4" Lock Nut
22	2	11-1960	1/2" x 2 1/2" Bolt	77	2	11-2756	1-3/4 ID x 1-15/16 OD x 2 Iglide Q Sleeve



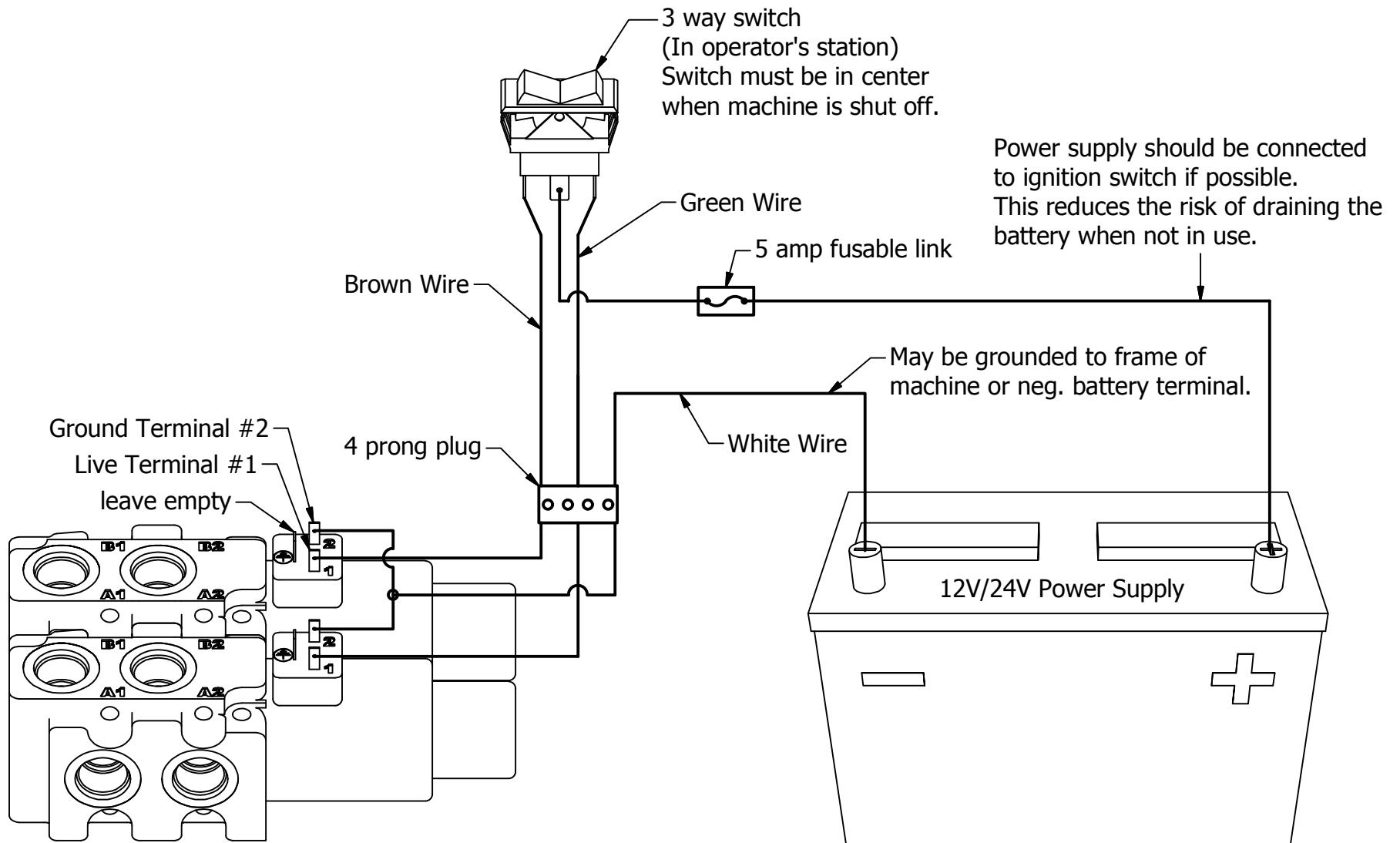
## SB3200W Hydraulics

Parts List			
ITEM	QTY	PART NUMBER	DESCRIPTION
1	6	HF-64000608	9/16 M-JIC - 3/4 M-ORB Straight Adapter
2	4	HH-100614	SB3200W Selector Valve To Wing Hose (ORFS Fittings)
3	4	HF-68010604	90° 3/8 M-JIC - 1/4" M-ORB Fitting
4	2	HH-100616	SB3200W Relief Valve to Cylinder (ORFS Fittings)
5	2	HH-100615	SB3/SB32W Angle Cyl Connector Hose (ORFS Fittings)
6	3	LA-SB2000RV	Crossover Relief Valve
7	1	LP-101691	SB3200W611 Snowwing Left Bottom Tube with M-ORFS 90° Elbow
8	1	LP-101695	SB3200W712 Snowwing Left Bottom Tube With with M-ORFS 90° Elbow
9	1	LP-101699	SB3200W813 Snowwing Left Bottom Tube With with M-ORFS 90° Elbow
10	1	LP-101703	SB3200W914 Snowwing Left Bottom Tube With with M-ORFS 90° Elbow
11	1	LP-101707	SB3200W1015 Snowwing Left Bottom Tube With with M-ORFS 90° Elbow
12	1	LP-101692	SB3200W611 Snowwing Left Top Tube With with M-ORFS 90° Elbow
13	1	LP-101696	SB3200W712 Snowwing Left Top Tube With with M-ORFS 90° Elbow
14	1	LP-101700	SB3200W813 Snowwing Left Top Tube With with M-ORFS 90° Elbow
15	1	LP-101704	SB3200W914 Snowwing Left Top Tube With with M-ORFS 90° Elbow
16	1	LP-101708	SB3200W1015 Snowwing Left Top Tube With with M-ORFS 90° Elbow
17	1	LP-101693	SB3200W611 Snowwing Right Bottom Tube With with M-ORFS 90° Elbow
18	1	LP-101697	SB3200W712 Snowwing Right Bottom Tube With with M-ORFS 90° Elbow
19	1	LP-101701	SB3200W813 Snowwing Right Bottom Tube With with M-ORFS 90° Elbow
20	1	LP-101705	SB3200W914 Snowwing Right Bottom Tube With with M-ORFS 90° Elbow
21	1	LP-101709	SB3200W1015 Snowwing Right Bottom Tube With with M-ORFS 90° Elbow
22	1	LP-101694	SB3200W611 Snowwing Right Top Tube With with M-ORFS 90° Elbow
23	1	LP-101698	SB3200W712 Snowwing Right Top Tube With with M-ORFS 90° Elbow
24	1	LP-101702	SB3200W813 Snowwing Right Top Tube With with M-ORFS 90° Elbow
25	1	LP-101706	SB3200W914 Snowwing Right Top Tube With with M-ORFS 90° Elbow
26	1	LP-101710	SB3200W1015 Snowwing Right Top Tube With with M-ORFS 90° Elbow
27	1	LP-100044	SB3200W SnowWing Tube Short 90°
28	1	LP-100045	SB3200W SnowWing Tube Long 90°
29	1	LP-100046	SB3200W Right Top Actuator Tube
30	1	LP-100047	SB3200W Right Bottom Actuator Tube
31	1	LP-100048	SB3200W Left Top Actuator Tube
32	1	LP-100049	SB3200W Left Bottom Actuator Tube
33	2	LA-CYL258S	2 1/2" x 8" Cross Tube (Welded Cyl.) 16" Retracted x 24" Extended
34	4	HF-64000808	1/2" M-JIC - 1/2" M-ORB Straight Adapter
35	2	HF-15010808	90° Elbow 1/2 M-NPT - 1/2 F-NPT Swivel
36	6	FS6500-0606	11/16 M-ORFS - 11/16 F-ORFS 90° Elbow Adapter
37	1	FS6801-0608	11/16 M-ORFS - 3/4 M-ORB 90° Elbow Adapter
38	2	FS6801-0606	11/16 M-ORFS - 9/16 M-ORB 90° Elbow Adapter
39	2	FS6804-060606	9/16 M-ORB - 11/16 M-ORFS - 11/16 M-ORFS Tee Adapter
40	3	11-2793	3/8" F-ORB 2 Way Needle Valve
41	2	HF-64070608	06 M-ORB / 08 M-ORB Adapter
42	2	HF-64000606	0.5625 M-JIC - 0.5625 M-ORB Adapter
43	1	DEDV612N	12 Volt Double Electric Selector Valve Nimco
44	2	HF-64010808	3/4"-16 M-ORB - 1/2"-14 M-NPT
45	4	FS6400-0608	11/16 M-ORFS - 3/4 M-ORB Adapter
46.1	2	LA-L2082E	SB3200 SnowWing Actuator
46.2	1	LP-101087	Centre Hose Mount
47	1	HF-68070806	90 Deg Elbow 3/4 M-ORB - 3/8 M-ORB
48	1	FS6400-0606	11/16 M-ORFS - 9/16 M-ORB Adapter

# Nimco Diverter Valve Plumbing & Electrical Directions



# Double Diverter Valve Electrical Diagram



## TROUBLESHOOTING

PROBLEM	POSSIBLE CAUSE	SOLUTION
Angle cylinders malfunctioning	Low hydraulic fluid level	Check and replenish hydraulic fluid
	Improper hose hookup	Check and correct hydraulic hose connections
	Broken hydraulic line	Check for leaks and replace line
	Bent piston rod	Replace or repair cylinder
	Quick disconnect coupler(s) are not connected or "Flow Check"	Check coupler connections Replace coupler(s) if necessary
	Hydraulic hose blockage	Check for evidence of damage to hoses that would block flow of oil between cylinders and control valve
	Hydraulic fluid leaking past packing or seals	Replace packing or seals
Cylinders operate in wrong direction relative to control valve lever position	Hydraulic hoses connected incorrectly	Correct hydraulic hose connections
Aeration of hydraulic fluid <i>(generally indicated by foamy appearance of fluid).</i>	Low hydraulic fluid level	Check and refill hydraulic system to proper level
	Hydraulic fluid foaming due to improper hydraulic oil usage	Refer to Power Unit's manual and replace hydraulic oil using recommended hydraulic oil
Hydraulic oil heating	Dirty oil	Drain and refill oil, replace filter
	Partially plugged inlet filter	Clean filter element
	Oil too light in hot weather	Use recommended oil
	Damaged oil lines	Replace oil lines
External hydraulic fluid leakage	Cylinder seals damaged	Repair cylinder
	Broken oil lines	Replace hose and check for leaks
	Loose hydraulic connection	Tighten loose connections
Hydraulic pump capacity inadequate	Cold hydraulic fluid	Allow hydraulic fluid to warm up to operating temperature
	Engine R.P.M. too slow	Increase engine R.P.M.
	Low hydraulic fluid supply	Refer to Power Unit's manual for service recommendations
	Hydraulic hose restriction	Check for evidence of restriction in hydraulic hoses
Wing rotation speed too fast or too slow	Hydraulic hose blockage	Check for evidence of damage to hoses that would block flow of oil between cylinders and control valve
	Needle valve setting out of adjustment	Turn needle clockwise to slow and counter clockwise to speed up

## TROUBLESHOOTING (CONT.)

PROBLEM	POSSIBLE CAUSE	SOLUTION
Cutting edge digging into surface	Soft surface or blade tipped forward too far	Tip blade back to ride on skid shoes
Premature wear out of cutting edge	Excessive down pressure on loader hydraulics	Set hydraulics in "float" position if possible
	Blade tipped ahead too far	Tip blade back to ride on skid shoes
Cutting edge trips too easily	Tension too loose on trip springs	Increase tension on trip springs
Thin film of oil/fluid on body of actuator	Normal occurrence	No action required
Green lubricating grease between body and endcaps	Normal occurrence in first 10 hours of use ( <i>factory packing grease</i> )	No action required
Endplates hitting front tires on power unit	Tire protector not set properly for power unit width	Set tire protector to proper setting to push endplate out more.





## Horst Welding Warranty Policy

All equipment is sold subject to mutual agreement that it is warranted by the company to be free from defects of material and workmanship. But the company shall not be liable for special, indirect, or consequential damages of any kind under this contract or otherwise. The company's liability shall be limited exclusively to replacing or repairing without charge, at its factory or elsewhere, at its discretion, any material or workmanship defects that become apparent within one year from the date on which the equipment was purchased. The company shall have no liability for related damages of any kind. The buyer by the acceptance of the equipment will assume all liability for any damages that may result from the use or misuse by his employees or others.

Distributor/dealer must notify Horst Welding of the defect by phone, fax or email. Recommended repairs and cost are to be discussed with, and agreed on, by an authorized Horst Welding representative. Repair and labor (*at an agreed rate*) will be performed by a dealer for Horst Welding or a repair shop designated by Horst Welding.

All claims **must** be discussed with a representative of Horst Welding prior to any repairs or warranty will be **void**.

All claims must be accompanied by a photograph of the defective product.

All defective products must be returned to Horst Welding in Listowel, Ontario unless directed otherwise by a representative of Horst Welding.

### **Horst Welding Warranty will not apply to:**

- Product that in the judgment of Horst Welding has been misused by the user.
- Product not sold or manufactured by Horst Welding.
- Alterations or repairs not authorized by a representative of Horst Welding.